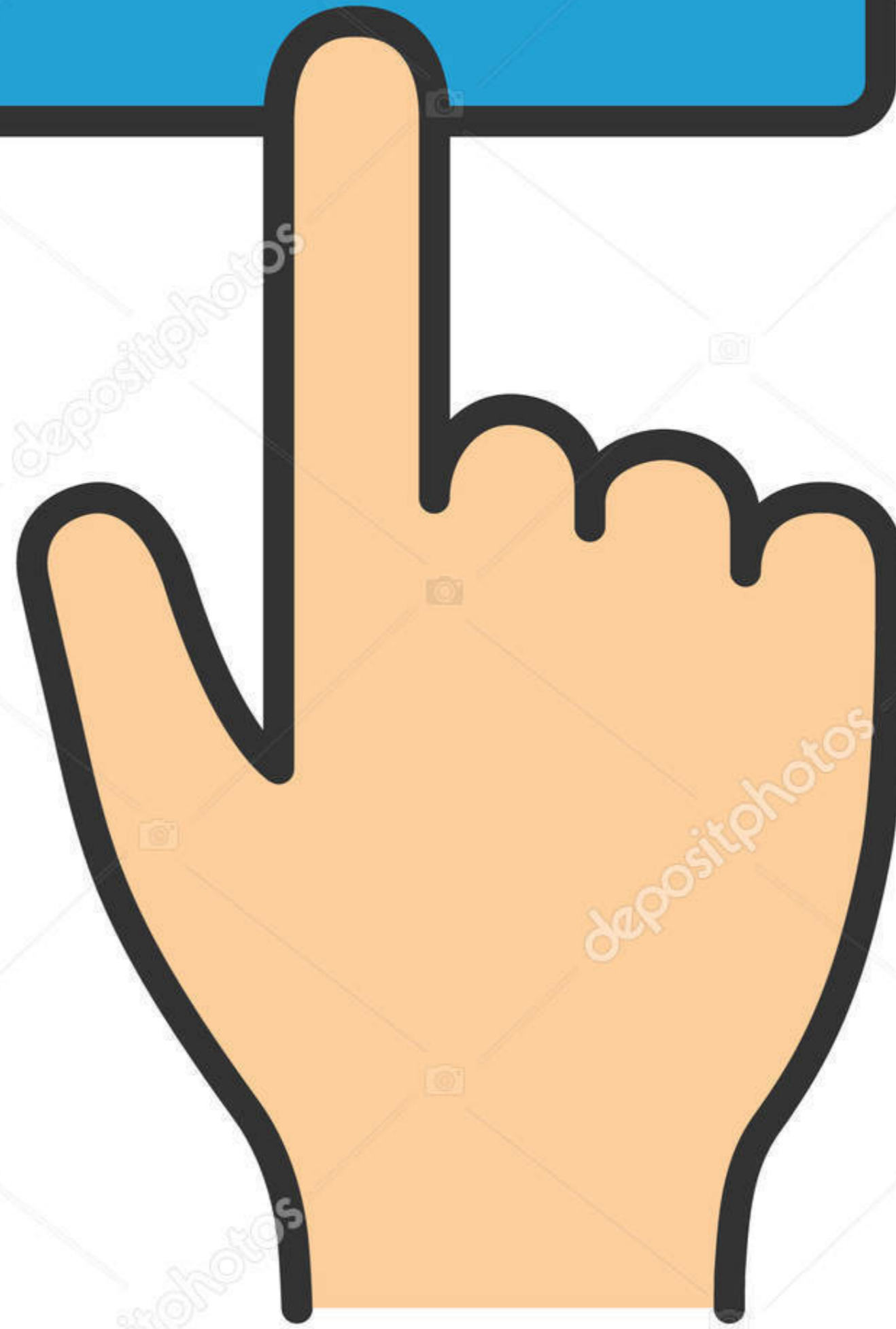


Download



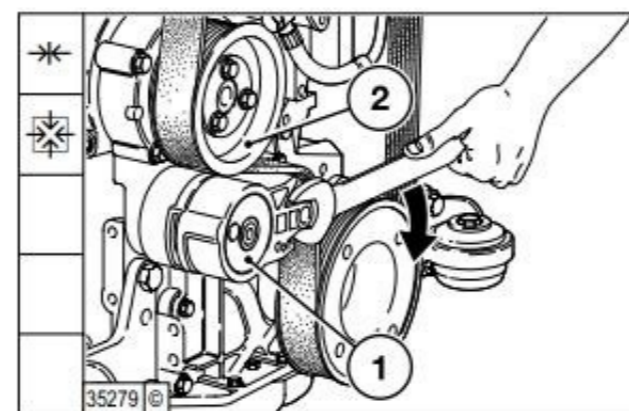
Wellendichtringe
Shaft seals
Joints d'arbre
Retenes para cigüeñal

Bauteile ab- und anbauen
Removal and re-installation of components
Démontage et remontage des composants
Desmontaje y montaje de componentes

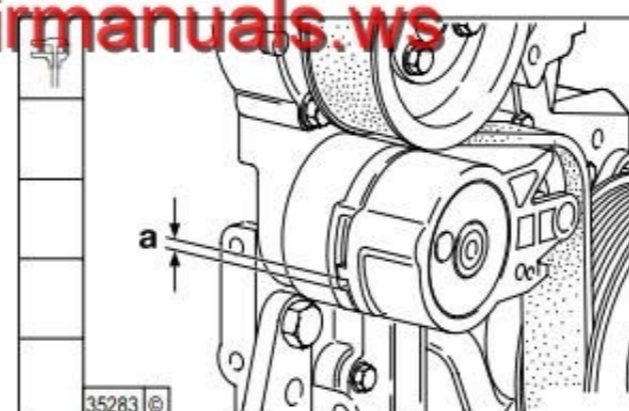
Deutsch

Werkstatthandbuch BFM 2012

15. Keilrippenriemen auflegen und spannen.
Spannrolle 1 in Pfeilrichtung drücken. Keilrippenriemen auflegen, dabei auf Rolle 2 zuletzt auflegen. Spannrolle entgegen Pfeilrichtung lösen, bis Keilrippenriemen gespannt ist.



- 15.1 Bei Wickelspannung auf Verschleißgrenze achten.
Den Abstand "a" zwischen der Nase des beweglichen Spannarms und dem Anschlag des festen Spannergehäuses messen.
Ist der Abstand "a" kleiner als 3 mm, so ist der Keilrippenriemen zu erneuern.



Download



Deutz Service Manual Download! deutz engine manuals. deutz engine manual free download deutz manual download deutz engine ... deutz f8l413f manual. Right here, we have countless books deutz engines service manual 413 and collections to ... DEUTZ 413 Diesel Engine Workshop Repair SERICE Manual. Deutz 413 Workshop Manual, available in two formats: downloadable PDF document (no shipping cost) and paper manual (\$21.95 flat fee for shipping).. Engine: BF12L413F Capacity: 19140 ccm Power: 389 HP . 5328 988 ... Deutz Diesel Engine F2L912 - F3L912 - F4L912 - F6L912 Workshop Manual. ... Deutz ...

Products 1 - 25 of 25 — It is an online forum where anyone can upload a digital presentation on any subject. DEUTZ 413 DIESEL ENGINE WORKSHOP REPAIR ... With this manual, MAN D2848-LXE D2840-LXE D2842-LYE Marine Diesel Engine ... 00/Unit) Free P&P. service manual & repair manual can easily help you with any ... D 2842 LYE / LZE / LE 401 / 402 / 403 / 406 / 408 / 411 / 41 / 413 Models. ... Kubota, Lister, Mercedes Benz, Caterpillar, MAN, Perkins, Deutz, Volvo Penta. Feb 26, 2014 — TIONS ON MACHINE AND IN SERVICEMANUAL. • KEEP OIL ... Engine Operating Temperature Specifications - Deutz 2-9. 2-2. ... 413 and 513 series are approved for bio-diesel from year.

deutz service manual

deutz service manual, deutz service manual free download, deutz service manual pdf, deutz td 2.9 l4 service manual, deutz bf4m2011 service manual pdf, deutz 2.9 l4 service manual, deutz 912 service manual pdf, deutz bf4m1011f service manual pdf, deutz f4m2011 service manual pdf, deutz 2011 service manual, deutz 1011 service manual, deutz 914 service manual, deutz d201103i service manual

Deutz engine smoke problemDEUTZ Engine TCD 2013 2V Workshop Manual | dhtauto.com. DEUTZ F4L912 OVERHAULDeutz Engine Bf6m 1013 E Workshop ...

deutz service manual pdf

Deutz B/FL413/F Diesel Engines Service Manual Paperback – April 1, 1983. by Deutz Manuals (Author). See all formats and editions. Sorry, there was a ... deutz tractor repair manual. pdf22 7MbDownloadDeutz Engine S-BV6-8-9M628 Operation Manual pdf10 1MbDownloadDeutz FL 411 Service Manual. Pdf User Manuals. View online or download Deutz B/FL 413 F / 513 / C / CP Installation Manual. ... Determining the Practical Service Life of an Air Cleaner. 72.. Deutz F31912 Service Manual. As an — Engine Deutz F1912 Workshop Manual - warehouse2.rgj.com. Deutz 413 Essential Diesel Engine Dec 18, 2015 — Bookmark File PDF Deutz 413 Diesel. Engine Workshop Repair Service Manual available in our digital library an online access to it is set as.

deutz bf4m2011 service manual pdf

3 hours ago — ... Electrical Wiring Diagrams Manual Original - Deutz Engine Diagrams. ... Sf416 Sf413 Sf310factory Service Repairworkshop Manual Instant Feb 14, 2018 — Save this Book to Read fl 413 deutz engine workshop manual PDF eBook at our Online Library. Get fl 413 deutz engine workshop manual PDF Deutz 1015 Diesel Engine Spare Parts Catalogue Download Now; Deutz 914 series engine manual collection. 2 s manuals Download Now; Deutz BFM 1012 ... Spare parts catalog engine DEUTZ TBD440-8K 464 Deutz 441. Spare parts Feb 21, 2019 - DEUTZ 413 F6L 413 V F8L 413 F10L 413 F12L 413 Service Manual ... Deutz Marine Diesel Engine service manuals PDF; workshop manual, owners guide(manual), repair manual, parts catalogs, wiring diagrams and fault codes ... Right here, we have countless ebook deutz service manual bf12l 413 fw and collections to check out. We additionally manage to pay for variant types and in Factory Repair Manual For Caterpillar 216B 226B 232B 242B Skid Steer Loaders. ... Deutz BFM2012; Deutz FL413/BFL513; Deutz FL912/FL913; Deutz TCD Dec 18, 2015 — 413 diesel engine workshop repair service manual can be taken as well as picked to act. Deutz F8L413F air cooled diesel engine for my DEUTZ 413 DIESEL ENGINE WORKSHOP SERVICE MANUAL - ALL YOU NEED TO KNOW IN THE SERVICE AND REPAIR OF YOUR 413 ENGINE. 8d69782d3

- [DLUpload - singing 904.rar](#)
- [apple_numbers_09_](#)
- [windows 7 pro oa hp iso download](#)
- [Holidays 07 - Lawrence - Foot \(HQ\), Dsc 9236 @iMGSRU](#)
- [Visual Basic 6.1, I All Inclusive free download](#)
- [Watch Detroit Lions vs Green Bay Packers Live Sports Stream](#)
- [assetto_corsa_competizione_v1_5_9.sse](#)
- [Daughter Olesia, IMG_3652111 @iMGSRU](#)
- [Free sales funnel templates](#)
- [Llvo showing her cute feet. 19425252_105033150123341_7101874 @iMGSRU](#)